



PRODUCT COLOR CARD

CO-EXTRUSION COLORS



Teak



Antique



Redwood



IPE



Light-grey



Walnut

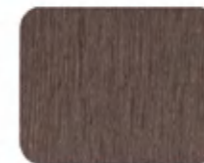
CLASSIC COLORS



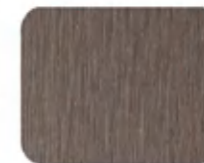
Teak



Redwood



Walnut



Coffee



Chocolate



Ebony

3D EMBOSSING DECKING COLORS



Teak



Red Wood



Walnut



Chocolate



Light Grey



Dark Grey



CAPPED COMPOSITE DECKING



D2 CO-EXTRUSION
SERIES

PRODUCT COMPOSITION

This board is made of 60% wood powder + 30% HDPE plastic,
It is an environmentally friendly material
that can be recycled and reused.



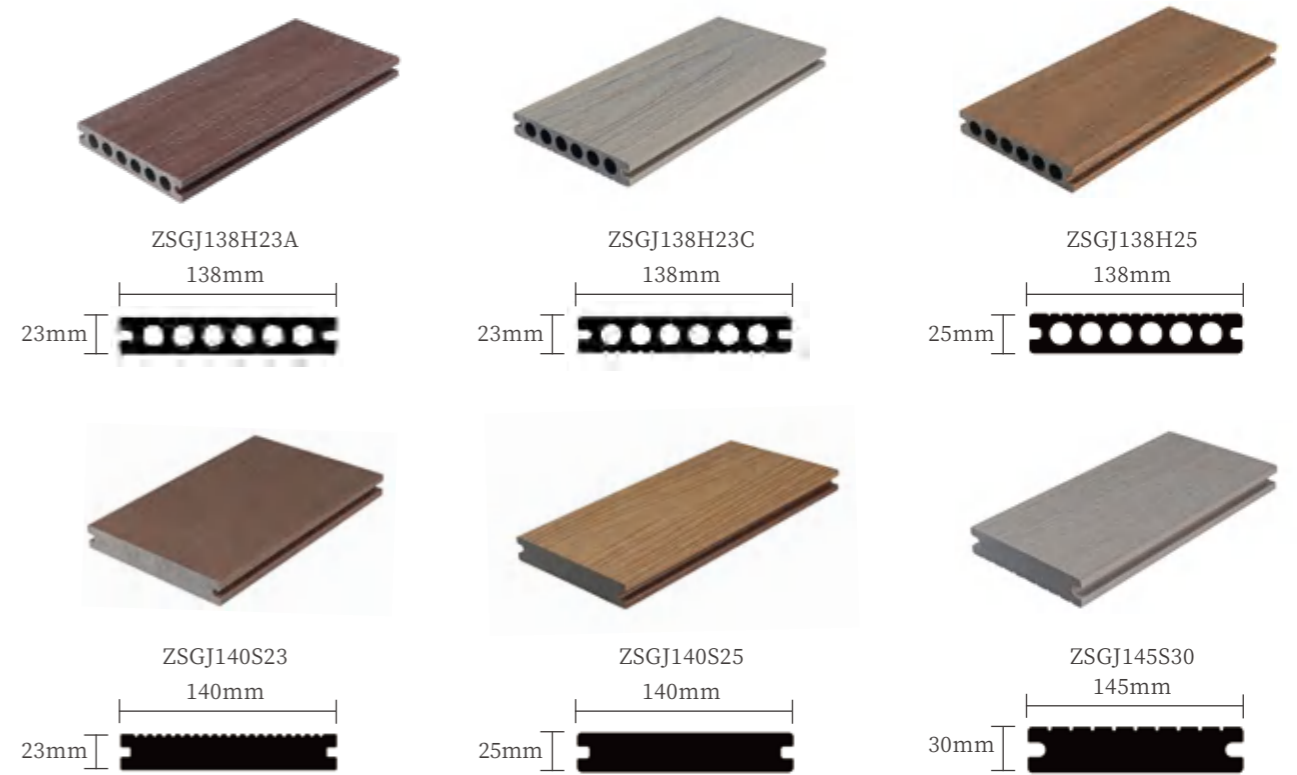
60%
Wood Powder



30%
HDPE



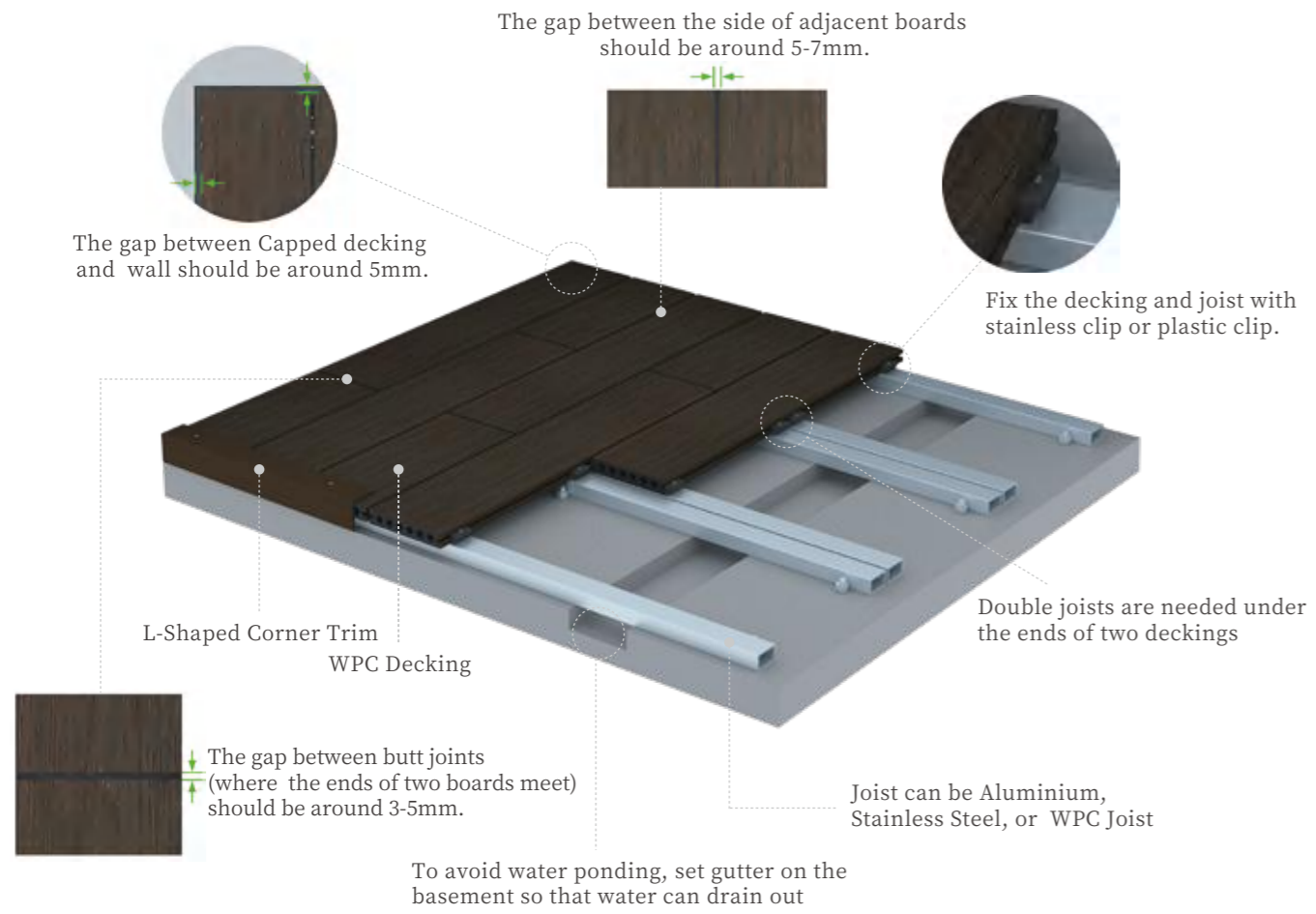
SPECIFICATION



SURFACE TEXTURE



INSTALLATION GUIDE



ACCESSORIES



Stainless steel start clip



Plastic clip



Expansion screw



L-Shaped Corner Trim
Dim: 50*50*3000mm



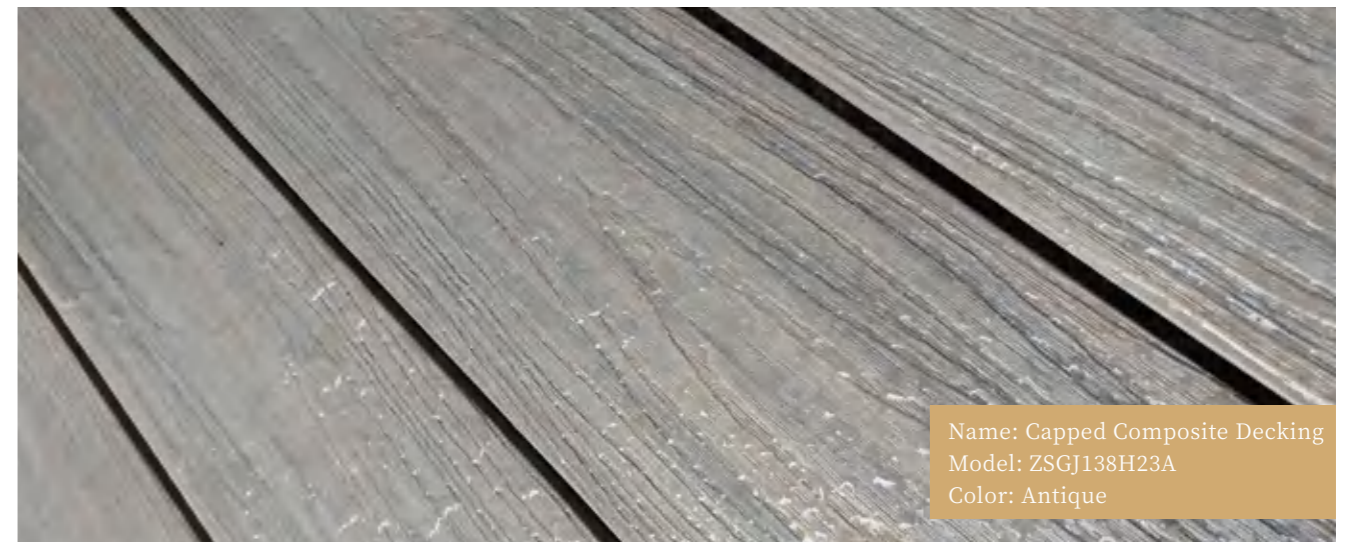
WPC joist
Dim: 40*30*3000mm



Aluminum joist
Dim: 40*25*2900mm



Name: Capped Composite Decking
Model: ZSGJ138H23A
Color: Teak



Name: Capped Composite Decking
Model: ZSGJ138H23A
Color: Antique



Name: Capped Composite Decking
Model: ZSGJ138H23C
Color: IPE

WPC CARBON FIBER DECKING



There is no interval between the two decks of the WPC carbon fiber decking, and the entire decking looks cleaner and neat. And it will not accumulate dust and stains at the joists, so that it is easier to clean, and don't worry about the breeding of various impurities. Compared with traditional decking, It has strong carrying capacity, longer service life, and can be paved according to dimensions of actual needs to avoid waste and save materials.

INFORMATION

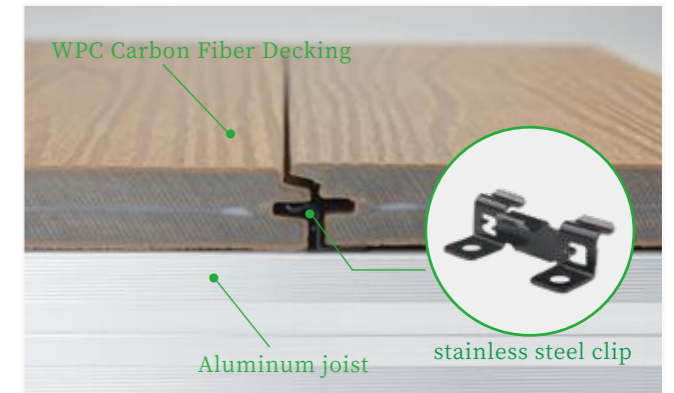
Name: WPC carbon fiber decking
 Application: Balcony, Terrace, Courtyard, Sun room, Garden, etc.
 Model: TG145S20.5
 Texture: Wood grain, Brush grain
 Advantage: Waterproof, No gap, No -formaldehyde
 Materials: WPC+CFRP (Carbon Fiber Reinforced Polymer)



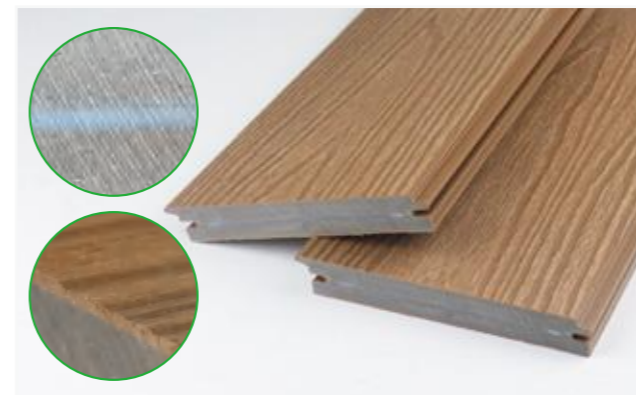
ADVANTAGE



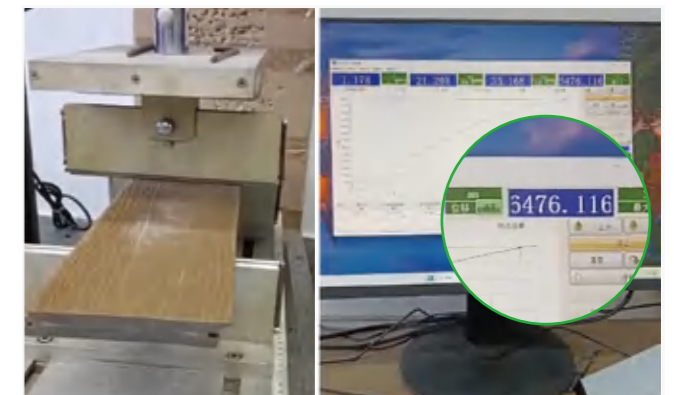
1. No gap design makes the entire ground look cleaner and beautiful.



2. Use stainless steel clip to Install the decking to prevent thermal expansion and contraction.



3. The 2mm-thick Carbon Fiber Reinforced Polymer (CFRP) material, with its reinforcing and low-shrinkage carbon fiber sheet, acts like steel rebar in the decking to effectively resist pressure and impact.



4. The WPC carbon fiber decking has a compressive resistance of over 6,400N.

CAPPED SLATTED COMPOSITE CLADDING



Upgrade your space with our innovative capped composite wall cladding. This advanced material features a tough plastic shield that completely encases a WPC core, offering unmatched protection against harsh weather, stains, and fading.

Experience the timeless beauty of wood, without the maintenance hassles – a simple washdown keeps it looking pristine for years to come.



INSTALLATION GUIDE



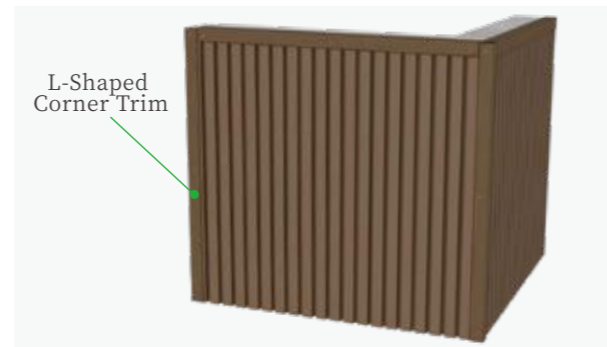
1. Install the joist, the center distance shall not exceed 500mm.



2. Fix the first cladding board to the joist with screw



3. Install other wall cladding in order



4. Install the L-Shaped Corner Trim with screws and complete the installation.

ACCESSORIES



Stainless Self Screw



Expansion Bolt



Expansion Screw



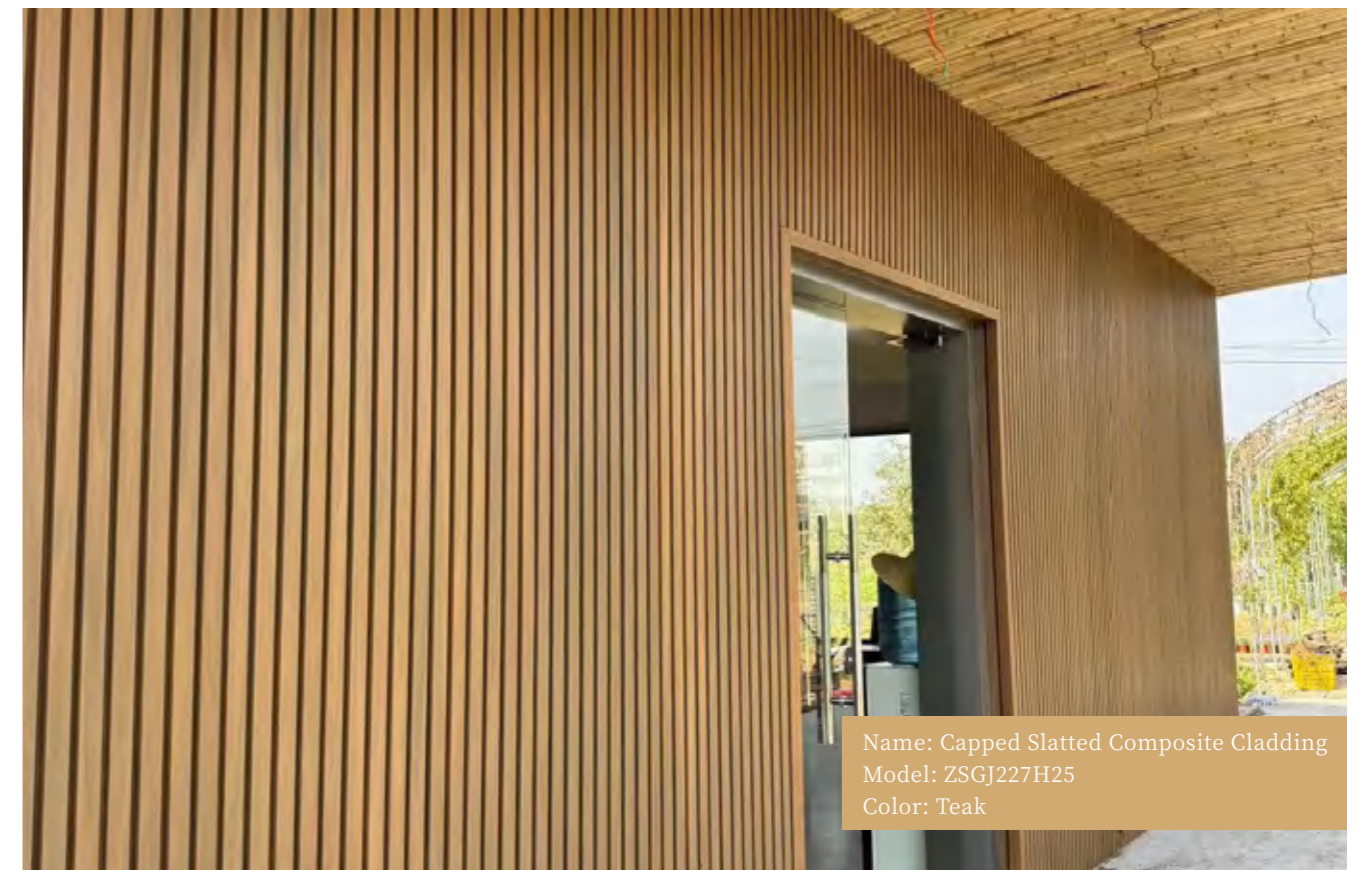
L-Shaped Corner Trim
Dim: 50*50*3000mm



WPC joist
Dim: 40*30*3000mm



Aluminum joist
Dim: 40*25*2900mm



CAPPED COMPOSITE SIDING SYSTEM

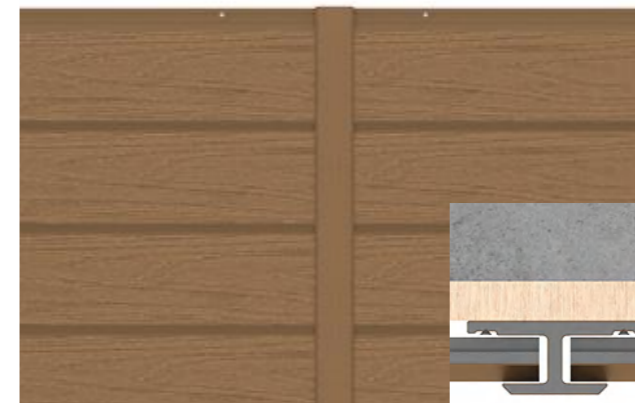
Paired with corner trim of the same color, it is beautiful and easy to install.



The WPC composite cladding boards can be installed either vertically or horizontally, easy installation and low maintenance, we use hidden system, the wall boards are overlap to hide the screw or clip. Nature timbers look but less timber problem, long-lasting and easy-going color.



SPECIFICATION



Name: H-Trim
Model: ZSGJ80L34
Size: 80*34mm



Name: Inside Corner Trim
Model: ZSGJ70.5L70.5
Size: 70.5*70.5mm



Name: Outside Corner Trim
Model: ZSGJ69L69
Size: 69*69mm



Name: F-Trim
Model: ZSGJ64L44
Size: 64*44mm



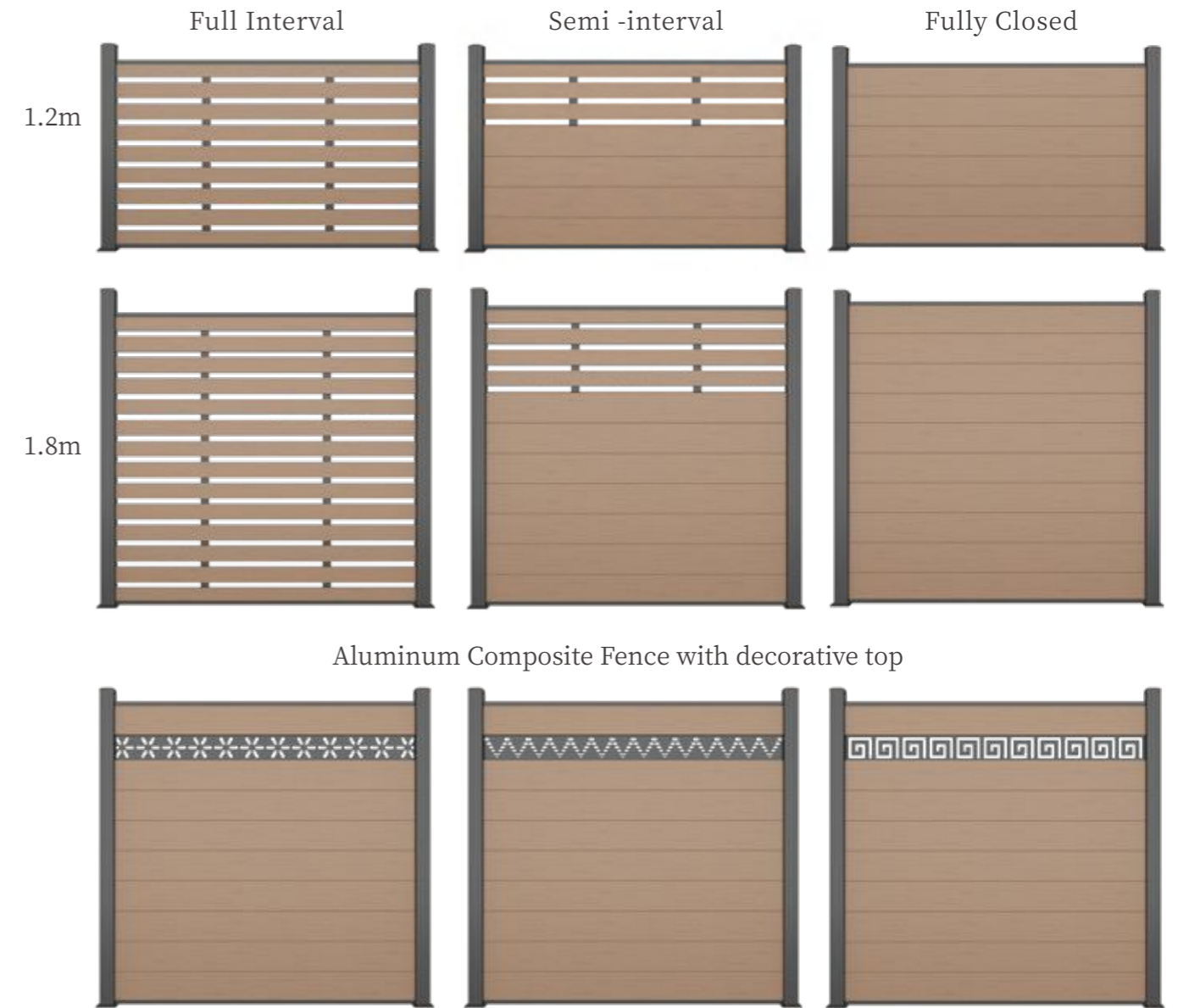
ALUMINUM WPC FENCE



Elevate your fencing experience with our Eco-Friendly Composite Fence system. Designed to mimic the aesthetic of natural wood without the drawbacks of timber, it offers enduring durability, making them a superior alternative to traditional timber options in the market.

Combing aluminum posts with capped composite panels, composite fencing offers a stylish, stable fencing solution for both domestic and commercial applications. Easy to install, our pre-designed kits include all essential components and hardware.

FENCE STYLE



SPECIFICATION



INSTALLATION GUIDE



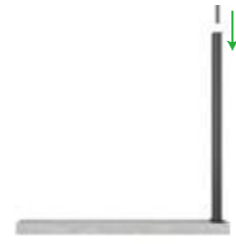
1. Pre-drill holes into the hardened ground at the screw holes.



2. Fix the post and post baseplate with Countersunk head hex screws.



3. Fix the post on the hardened ground with expansion screws.



4. Install the post slide cover.



5. Secure the bottom rail with self-drilling screws.



6. Slot the fence panels between posts.



7. Install partition accessories ① and ③.



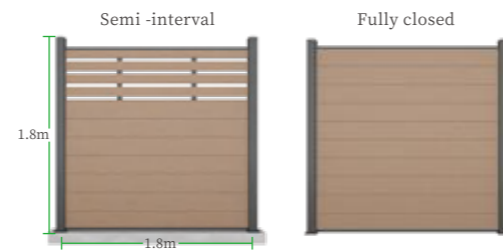
8. Install partition panels in sequence.



9. Install the top rail.



10. Install the post cap.



11. Job Done!

ACCESSORIES



WPC Door



Aluminum Post



Post Baseplate



Post Cap



L-Bracket



Top&Bottom Rail



Post Slide Cover



Name: Aluminum WPC Fence
Model: ZSGJ170H24
Color: Teak



Name: Aluminum WPC Fence
Model: T180H24
Color: Teak



Name: Aluminum WPC Fence
Model: ZSGJ90H24.5
Color: Teak

03

3D EMBOSSING
DECKING



3D embossing decking
natural classic wooden texture



Name: 3D Embossing Decking
Model: ZS150H23
Color: Teak

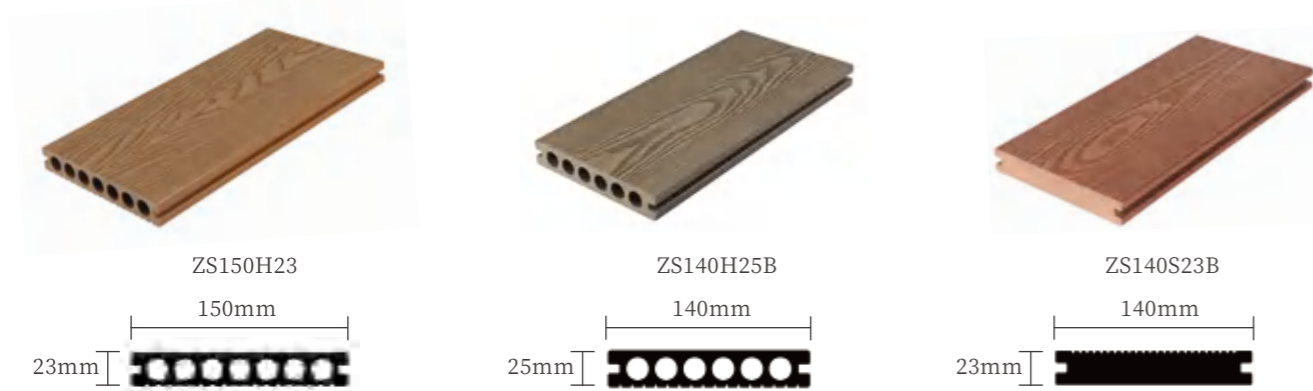


Name: 3D Embossing Decking
Model: ZS140H25B
Color: Teak



Name: 3D Embossing Decking
Model: ZS140S23B
Color: Red Wood

SPECIFICATION



SURFACE TEXTURE



DA

ADAMAS SERIES

Adamas series products are currently the most leading wooden plastic materials in the world. Because of its excellent performance and quality, it has obtained the reputation of "BMW in the car, and adamas wood in the wood"! It is a mixed biomass powder and high-performance modified plastic, adding special formulas, using professional equipment and patented molds, and then extrusion by special craft formed ultra-high-performance wood plastic composite materials

Adamas products can be used as structural materials, and some or all can replace metal materials such as steel, iron, aluminum alloy, and glass fiber. Its service life exceeds 30 years.

Adamas series can be widely used in military industry, real estate, gardens, municipalities, ancient buildings, ancient villages, temples, new urbanization construction and other fields. It is a transformation of traditional wood plastic composite materials in product research and development, technological innovation, and application direction.

The performance advantages of adamas products are mainly manifested in high-bending strength, high tensile strength, high resistance impact strength, low linear thermal expansion coefficient and low water absorption.



CLASSIC COMPOSITE DECKING



Wood plastic decking is widely used in outdoor courtyards, garden landscapes, parks, commercial places, etc. It not only waterproof, corrosion resistance, Eco friendly can also reducing the over-mining of plants to play a good economy and Environmental protection benefits are favored by the public in the construction field of outdoor building materials.

SPECIFICATION



ZS100H25
100mm
25mm



ZS140H25A
140mm
25mm



ZS140H25B1
140mm
25mm



ZS140S23B
140mm
23mm

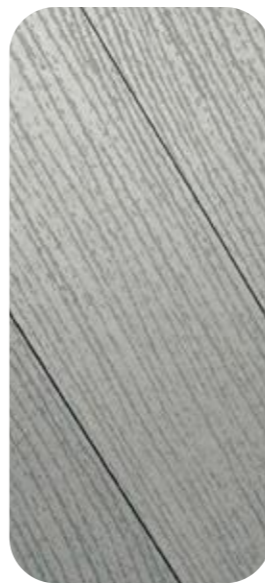


ZS145H30
145mm
30mm



ZS100S30F
100mm
30mm

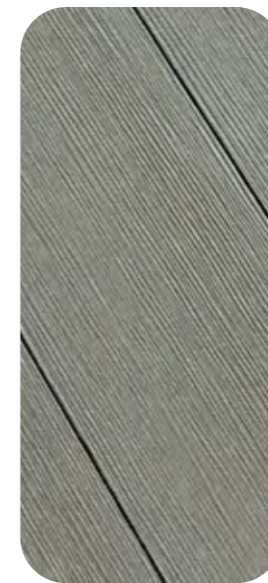
SURFACE TEXTURE



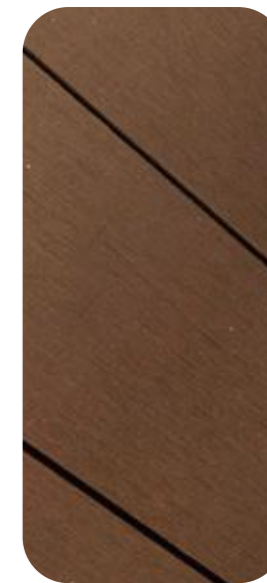
G2 Straight Wood Grain



G3 Cross Wood Grain



Brushing



Sanding

DIY WPC DECKING TILES



INFORMATION

Name: DIY WPC Decking Tiles
 Application: Balcony, Terrace, Courtyard, Sun room, Garden, etc.
 Specification: 30*30cm, 30*60cm, 30*90cm
 Texture: Wood grain, Brush grain, Groove
 Advantages: Low Maintenance, No formaldehyde
 Splicing method: Interlock design
 Material: 30%HDPE+60%Wood Powder+10%Additives



正面

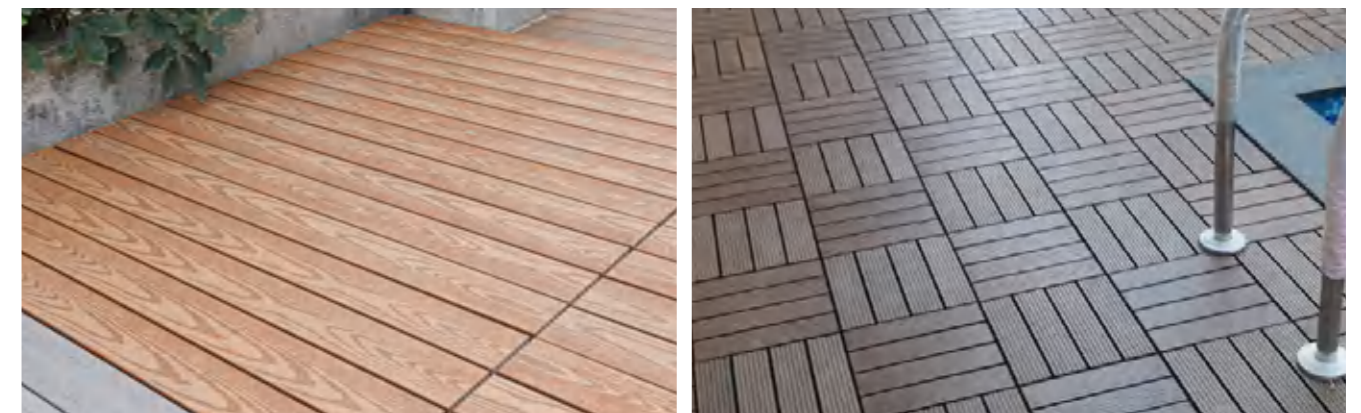
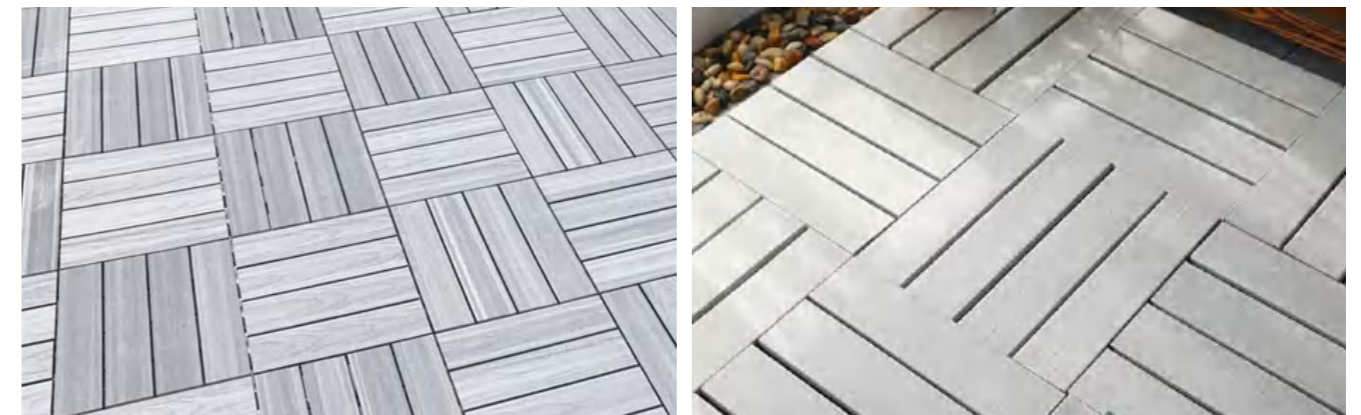
背面



30*30cm

30*60cm

30*90cm



Easy to install



Non-slip



Easy to clean



Waterproof







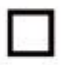

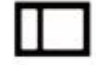





Eco-friendly

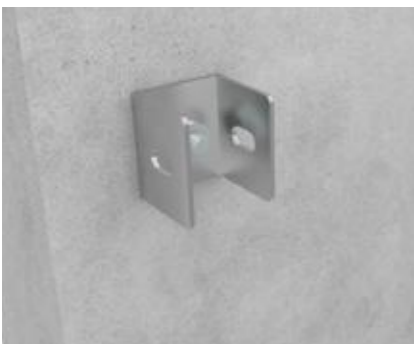




Waterproof | Flame retardant | Anti -fracture | Not easily deformed

SPECIFICATION

					
					
50*50mm	60*40mm	70*50mm	90*40mm	120*70mm	160*80mm

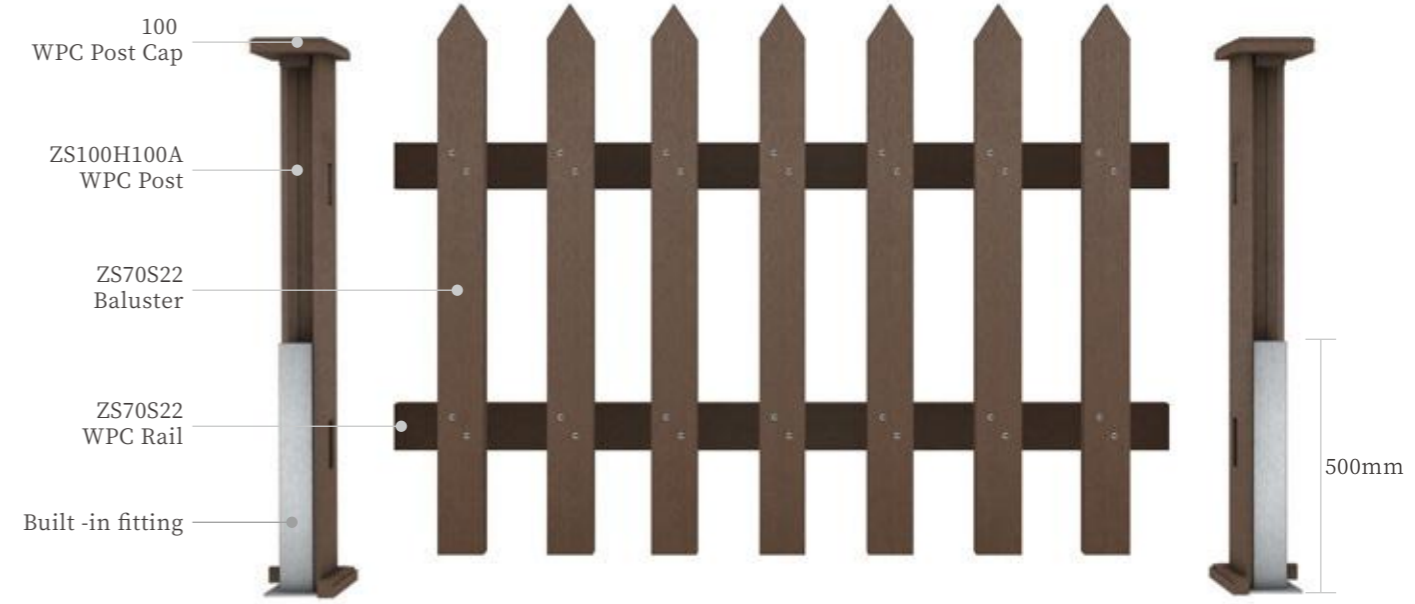
INSTALLATION GUIDE

- 
1. Fix the metal clip with expansion screws
- 
2. Put the square tube in the metal clip and fix it with screws
- 
3. The installation is complete





FENCE COMPONENTS



FENCE STYLE



ZSC010-1, L1500 × H900mm



ZSC010-2, L1500 × H900mm



ZSC010-4, L1500 × H900mm



ZSC011-1, L1685 × H1400mm



ZSC011-2, L1685 × H1400mm



ZSC012, L1685 × H1400mm



Post
ZS100H100A



Post
ZS90H90B



Rail
ZS70S22



Baluster
ZS70S22

FENCE ACCESSORIES



Stainless Self-tapping screw



Built-in fitting



WPC Post Cap



WPC Base

WPC PERGOLA



For villas, gardens, colony plots, restaurants, tea posts, road side refreshment areas, Pergolas are becoming favorite because of its woody look. Made with wood powder and PE with different surfaces like 'sanded' or 'brushed' or 'embossed' pergolas are perfect replacement of conventional wooden structures.

PERGOLA STYLE



Style 1



Style 2



Style 3

BLADE&BEAM END SHAPE



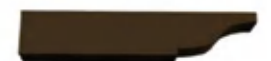
ZS-DT01



ZS-DT03



ZS-DT02



ZS-DT04

